

APm Peripheral Pump



Application

- Can be used to transfer clean water or other liquids similar to water in physical and chemical properties
- Suitable for small living water supply, automatic water sprinkler system, small air conditioner system or supporting equipment etc.

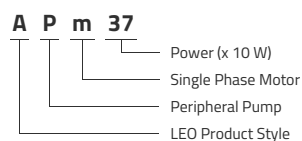
Pompe

- Special anti-rust treatment for cast iron pump body and support
- Anti-block system for impeller
- Brass impeller
- AISI 304 Shaft
- Max. liquid temperature: +60°C
- Max. suction: +8 m

Moteur

- C&U bearing
- Motor with copper winding
- Built-in thermal protector for single phase motor
- Insulation class: F
- Protection class: IPX4
- Max. ambient temperature: +40°C
- IE 2 motor (AP110, AP150)

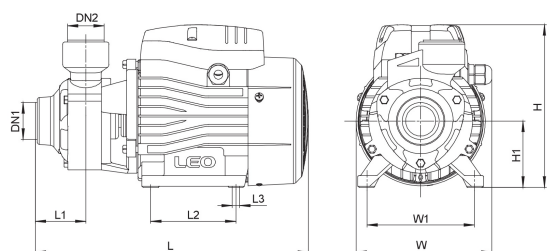
Identification codes



Technical data

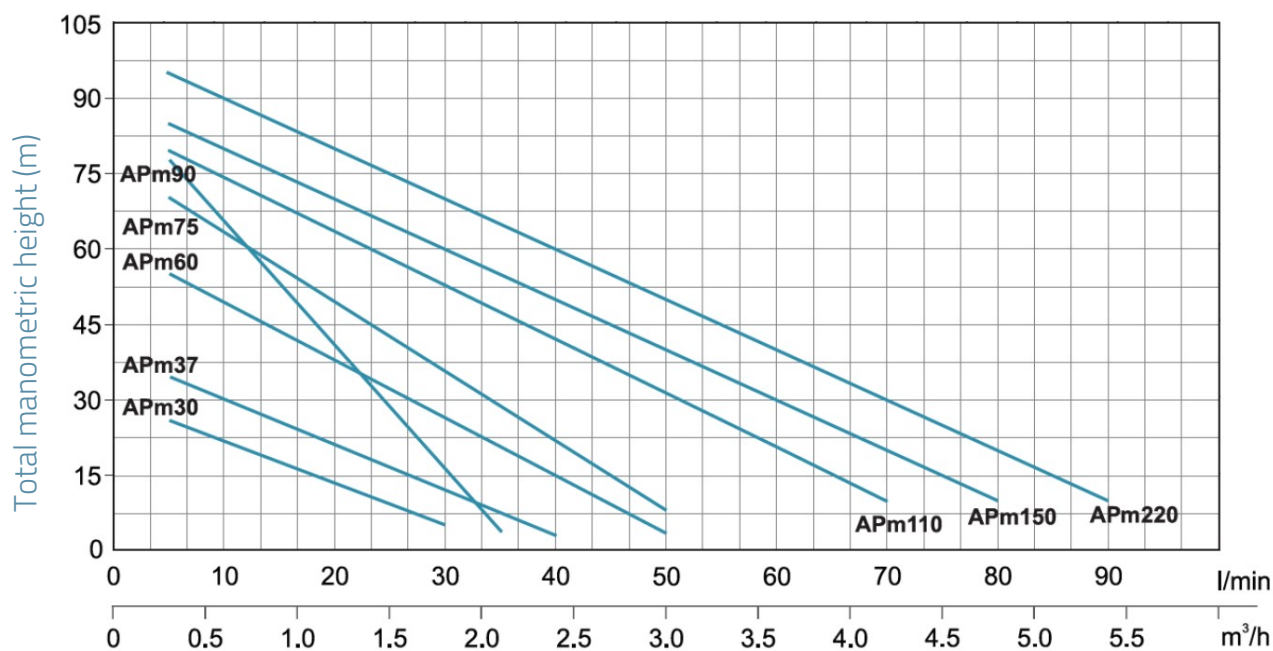
| MODEL | kW | Q (m³/h) | | | | | | | | | | |
|--------|------|-----------|-----|-----|-----|-----|-----|-----|-----|-----|----|----|
| | | 0 | 0.3 | 0.6 | 0.9 | 1.2 | 1.5 | 1.8 | 2.1 | 2.4 | 3 | |
| | | Q (l/min) | 0 | 5 | 10 | 15 | 20 | 25 | 30 | 35 | 40 | 50 |
| APm30 | 0.3 | 30 | 26 | 20 | 15 | 12 | 8 | 5 | 0 | 0 | 0 | 0 |
| APm37 | 0.37 | 40 | 35 | 30 | 25 | 20 | 15 | 10 | 5 | 0 | 0 | 0 |
| APm60 | 0.6 | 60 | 55 | 50 | 40 | 35 | 30 | 25 | 20 | 10 | 5 | 5 |
| APm75 | 0.75 | 75 | 70 | 60 | 50 | 45 | 35 | 28 | 22 | 15 | 5 | 5 |
| APm90 | 0.75 | 90 | 75 | 60 | 50 | 35 | 25 | 15 | 5 | 0 | 0 | 0 |
| APm110 | 1.1 | 85 | 80 | 75 | 65 | 60 | 55 | 50 | 45 | 40 | 30 | 30 |
| AP110 | 1.1 | 85 | 80 | 75 | 65 | 60 | 55 | 50 | 45 | 40 | 30 | 30 |
| APm150 | 1.5 | 90 | 86 | 80 | 75 | 70 | 65 | 60 | 55 | 50 | 40 | 40 |
| AP150 | 1.5 | 90 | 86 | 80 | 75 | 70 | 65 | 60 | 55 | 50 | 40 | 40 |
| APm220 | 2.2 | 100 | 96 | 90 | 85 | 80 | 75 | 70 | 65 | 60 | 50 | 50 |
| AP220 | 2.2 | 100 | 96 | 90 | 85 | 80 | 75 | 70 | 65 | 60 | 50 | 50 |

Dimensions



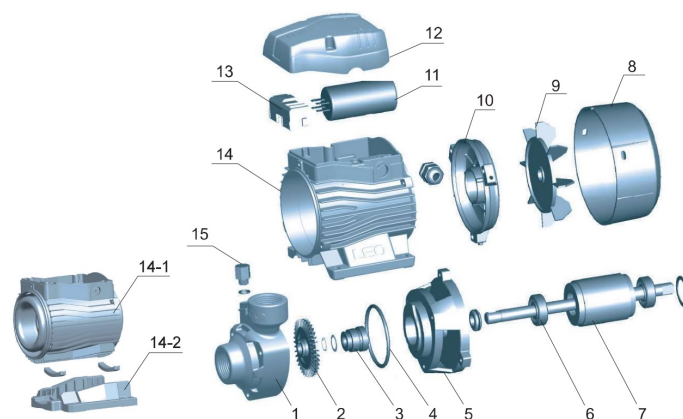
| MODEL | DN1 | DN2 | L | W | H | L1 | L2 | L3 | W1 | H1 |
|--------|-----|-----|-----|-----|-----|------|-----|-----|-----|----|
| APm30 | 1 | 1 | 260 | 132 | 155 | 46.5 | 80 | 8.5 | 100 | 63 |
| APm37 | 1 | 1 | 260 | 132 | 155 | 46.5 | 80 | 8.5 | 100 | 63 |
| APm60 | 1 | 1 | 282 | 147 | 183 | 51 | 90 | 8.5 | 112 | 71 |
| APm75 | 1 | 1 | 300 | 147 | 183 | 54.5 | 90 | 8.5 | 112 | 71 |
| APm90 | ¾ | ¾ | 297 | 147 | 183 | 50 | 90 | 8.5 | 112 | 71 |
| APm110 | 1 | 1 | 336 | 165 | 210 | 56 | 100 | 9 | 125 | 86 |
| AP110 | 1 | 1 | 336 | 165 | 210 | 56 | 100 | 9 | 125 | 86 |
| APm150 | 1 | 1 | 338 | 165 | 210 | 56 | 100 | 9 | 125 | 86 |
| AP150 | 1 | 1 | 338 | 165 | 210 | 56 | 100 | 9 | 125 | 86 |
| APm220 | 1 | 1 | 395 | 170 | 235 | 56 | 123 | 12 | 140 | 96 |
| AP220 | 1 | 1 | 338 | 165 | 210 | 56 | 100 | 9 | 125 | 86 |

Hydraulic performance



Exploded view

| No. | Type | Materials |
|------|--------------------|----------------------|
| 1 | Pump body | cast iron HT200 |
| 2 | Impeller | brass |
| 3 | Mechanical seal | carbon / ceramic |
| 4 | O-ring | nitrile rubber (NBR) |
| 5 | Lantern | cast iron HT200 |
| 6 | Bearing | |
| 7 | Rotor | |
| 8 | Fan cover | polypropylene |
| 9 | Fan | polypropylene |
| 10 | Rear cover | cast aluminum ZL102 |
| 11 | Capacitor | |
| 12 | Electric box cover | ABS |
| 13 | Terminal board | |
| 14 | Stator | |
| 14.1 | Stator (alone) | |
| 14.2 | Base | |
| 15 | Filling plug | brass HPb59-1 |



Packaging

| MODEL | Weight (kg) | Length L (mm) | Width W (mm) | Height H (mm) |
|--------|-------------|---------------|--------------|---------------|
| APm30 | 5.1 | 283 | 158 | 171 |
| APm37 | 5.5 | 283 | 158 | 171 |
| APm60 | 9 | 315 | 190 | 210 |
| APm75 | 10.5 | 335 | 190 | 210 |
| APm90 | 10.5 | 335 | 190 | 210 |
| APm110 | 15.9 | 370 | 210 | 235 |
| AP110 | 15.9 | 370 | 210 | 235 |
| APm150 | 16.5 | 370 | 210 | 235 |
| AP150 | 16.5 | 370 | 210 | 235 |
| APm220 | 22.3 | 420 | 225 | 265 |
| AP220 | 17.2 | 370 | 210 | 235 |

