

KBZ(1.5-5.5kW) Construction site pump



Application

- Civil engineering
- Mines, quarries, sludge
- Wastewater treatment plant

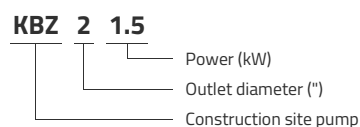
Pompe

- Max flow: 156 m³/h
- HMT max: 57 m
- Maximum immersion depth: 25 m
- Maximum liquid temperature: +40°C
- Maximum particle passage diameter: 8,5 mm
- Top mechanical seal in silicon carbide / silicon carbide from 3.7 kW
- Barbed outlet as standard
- Accessories of the threaded or tapped connection outlet type
- Cable length: 20 m

Moteur

- Insulation class: B
- Protection class: IP68

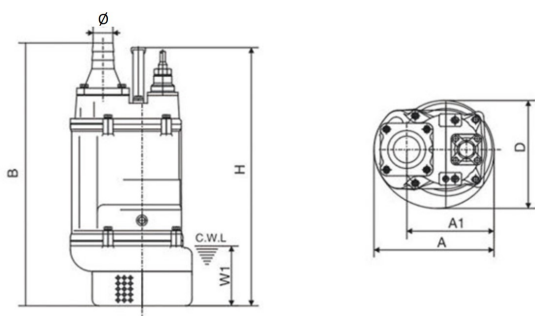
Identification codes



Technical data

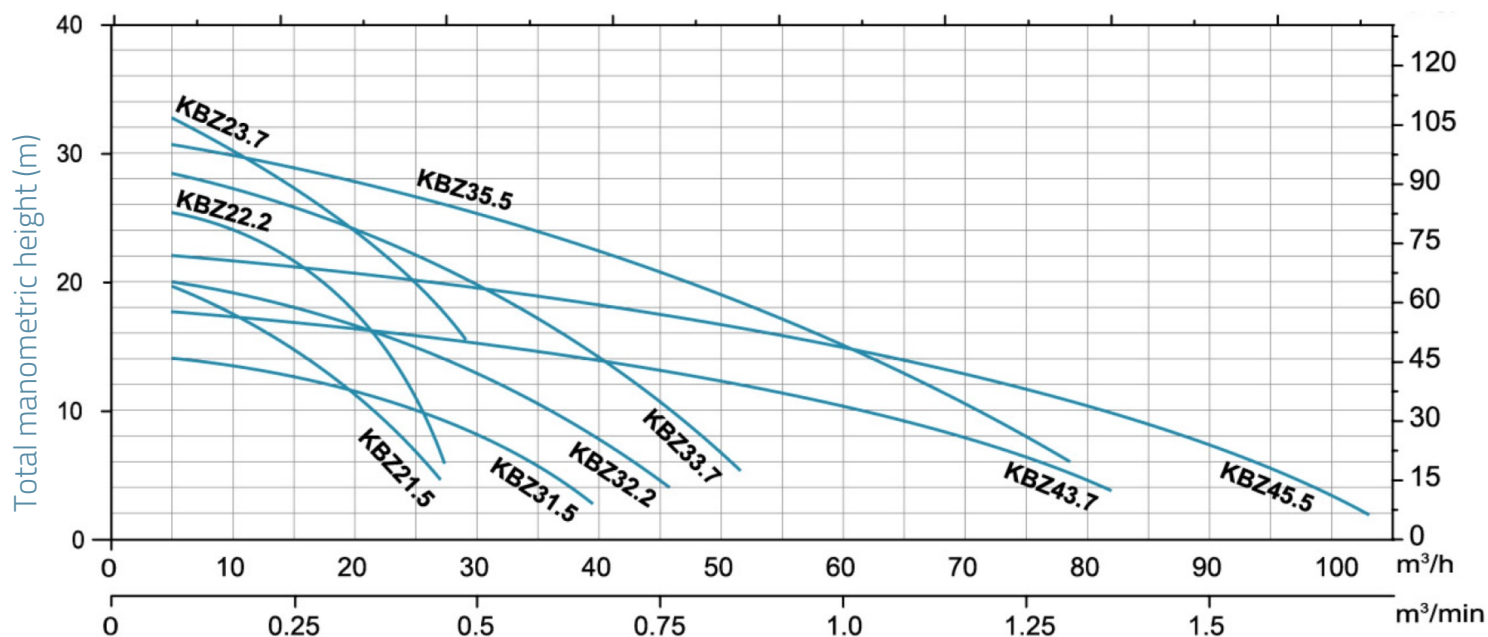
MODEL	kW	Q (m ³ /h)																	
		0	5	10	15	20	25	30	35	40	45	50	55	60	70	80	90	100	
	Q (l/min)	0	83	167	250	333	417	500	583	667	750	833	917	1000	1167	1333	1500	1667	
KBZ21.5	1.5	23.1	20.9	19.4	17.4	14.4	11	7.2											
KBZ21.5F	1.5	23.1	20.9	19.4	17.4	14.4	11	7.2											
KBZ21.5M	1.5	23.1	20.9	19.4	17.4	14.4	11	7.2											
KBZ22.2	2.2	27.8	27.5	26.6	24.7	21.5	16.7	10.9											
KBZ22.2F	2.2	27.8	27.5	26.6	24.7	21.5	16.7	10.9											
KBZ22.2M	2.2	27.8	27.5	26.6	24.7	21.5	16.7	10.9											
KBZ23.7	3.7	34	33	31.1	28.3	23.5	17.9	12											
KBZ23.7F	3.7	34	33	31.1	28.3	23.5	17.9	12											
KBZ23.7M	3.7	34	33	31.1	28.3	23.5	17.9	12											
KBZ31.5	1.5	14.3	13.8	13.2	12.4	11.4	10.2	8.4	6.1	3.5									
KBZ31.5F	1.5	14.3	13.8	13.2	12.4	11.4	10.2	8.4	6.1	3.5									
KBZ31.5M	1.5	14.3	13.8	13.2	12.4	11.4	10.2	8.4	6.1	3.5									
KBZ32.2	2.2	18.7	18.2	17.5	16.7	15.8	14.6	13	11	9	6.9	4.6							
KBZ32.2F	2.2	18.7	18.2	17.5	16.7	15.8	14.6	13	11	9	6.9	4.6							
KBZ32.2M	2.2	18.7	18.2	17.5	16.7	15.8	14.6	13	11	9	6.9	4.6							
KBZ33.7	3.7	30.1	29.3	28.2	27.1	25.6	24.1	22.3	20	17.4	14.7	11.9	8.8	5.7					
KBZ33.7F	3.7	30.1	29.3	28.2	27.1	25.6	24.1	22.3	20	17.4	14.7	11.9	8.8	5.7					
KBZ33.7M	3.7	30.1	29.3	28.2	27.1	25.6	24.1	22.3	20	17.4	14.7	11.9	8.8	5.7					
KBZ35.5	5.5	32.1		29.4		27.5	26.3	25.3	24.1	22.6	20.8	18.6	16.2	14.3	8.8				
KBZ35.5F	5.5	32.1		29.4		27.5	26.3	25.3	24.1	22.6	20.8	18.6	16.2	14.3	8.8				
KBZ35.5M	5.5	32.1		29.4		27.5	26.3	25.3	24.1	22.6	20.8	18.6	16.2	14.3	8.8				
KBZ43.7	3.7	19.4		18.9		18.1		17.2		16.1		14.6		12.6	10.2	7.5	4.7		
KBZ43.7F	3.7	19.4		18.9		18.1		17.2		16.1		14.6		12.6	10.2	7.5	4.7		
KBZ43.7M	3.7	19.4		18.9		18.1		17.2		16.1		14.6		12.6	10.2	7.5	4.7		
KBZ45.5	5.5	23.3		22.5		21.7		20.7		19.6		18.3		16.8	14.6	12.2	9.4	6.4	
KBZ45.5F	5.5	23.3		22.5		21.7		20.7		19.6		18.3		16.8	14.6	12.2	9.4	6.4	
KBZ45.5M	5.5	23.3		22.5		21.7		20.7		19.6		18.3		16.8	14.6	12.2	9.4	6.4	

Dimensions



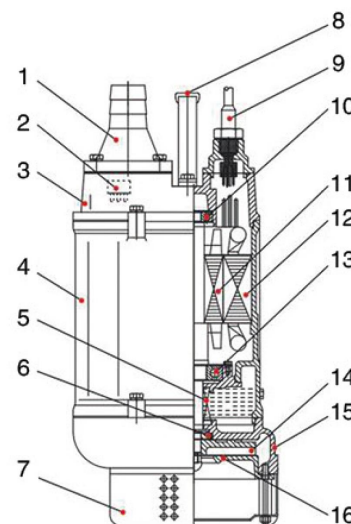
MODEL	Ø	A	A1	B	D	H	W1
KBZ21.5	50	235	173	517	216	486	120
KBZ21.5F	50	235	173	517	216	486	120
KBZ21.5M	50	235	173	517	216	486	120
KBZ22.2	50	235	173	517	216	486	120
KBZ22.2F	50	235	173	517	216	486	120
KBZ22.2M	50	235	173	517	216	486	120
KBZ23.7	50	283	208	628	252	638	150
KBZ23.7F	50	283	208	628	252	638	150
KBZ23.7M	50	283	208	628	252	638	150
KBZ31.5	80	235	173	517	216	486	120
KBZ31.5F	80	235	173	517	216	486	120
KBZ31.5M	80	235	173	517	216	486	120
KBZ32.2	80	235	173	517	216	486	120
KBZ32.2F	80	235	173	517	216	486	120
KBZ32.2M	80	235	173	517	216	486	120
KBZ33.7	80	283	208	628	252	638	150
KBZ33.7F	80	283	208	628	252	638	150
KBZ33.7M	80	283	208	628	252	638	150
KBZ35.5	80	306	218	671	259	598	150
KBZ35.5F	80	306	218	671	259	598	150
KBZ35.5M	80	306	218	671	259	598	150
KBZ43.7	100	283	208	642	252	638	150
KBZ43.7F	100	283	208	642	252	638	150
KBZ43.7M	100	283	208	642	252	638	150
KBZ45.5	100	306	218	686	259	598	150
KBZ45.5F	100	306	218	686	259	598	150
KBZ45.5M	100	306	218	686	259	598	150

Hydraulic performance



Exploded view

No.	Type	Materials
1	Barbed outlet fitting	cast iron HT200
2	Thermal protection	
3	Top cover	cast iron HT200
4	Jacket	cast iron HT200
5	Seal	
6	Mechanical seal	sil carb / sil carb, carbon / sil carb (<3kW)
7	Strainer	steel
8	Handle	steel
9	Power cable	
10	Bearing	
11	Rotor	
12	Stator	
13	Bearing	
14	Impeller	chrome alloy
15	Pump body	cast iron HT200
16	Inlet fitting	ductile cast iron



Packaging

MODEL	Weight (kg)	Length L (mm)	Width W (mm)	Height H (mm)
KBZ21.5	37.5	585	270	270
KBZ21.5F	0	0	0	0
KBZ21.5M	0	0	0	0
KBZ22.2	39	585	270	270
KBZ22.2F	0	0	0	0
KBZ22.2M	0	0	0	0
KBZ23.7	65	685	325	300
KBZ23.7F	0	0	0	0
KBZ23.7M	0	0	0	0
KBZ31.5	37	585	270	270
KBZ31.5F	0	0	0	0
KBZ31.5M	0	0	0	0
KBZ32.2	39	585	270	270
KBZ32.2F	0	0	0	0
KBZ32.2M	0	0	0	0
KBZ33.7	65	685	325	300
KBZ33.7F	0	0	0	0
KBZ33.7M	0	0	0	0
KBZ35.5	84	725	355	370
KBZ35.5F	0	0	0	0
KBZ35.5M	0	0	0	0
KBZ43.7	66	685	325	300
KBZ43.7F	0	0	0	0
KBZ43.7M	0	0	0	0
KBZ45.5	85	725	355	370
KBZ45.5F	0	0	0	0
KBZ45.5M	0	0	0	0

