

# LPP150 Pompes centrifuge in-line en fonte

## Application

- Pompes centrifuges en ligne construction fonte. Particulièrement appropriées pour les installations de climatisation et de transfert d'eau chaude ou froide.

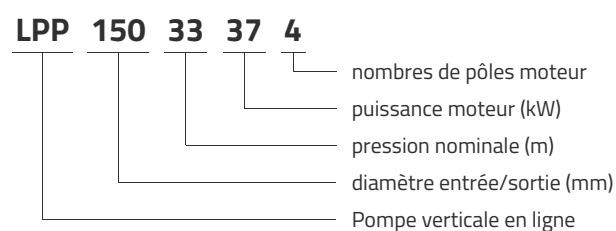
## Pompe

- Débit jusque: 390 m<sup>3</sup>/h
- Pression maximale: 52 mètres
- Température de liquide: 0°C à +90°C

## Moteur

- Moteur IE3
- Classe de protection: IP55
- Température ambiante maximale: +40°

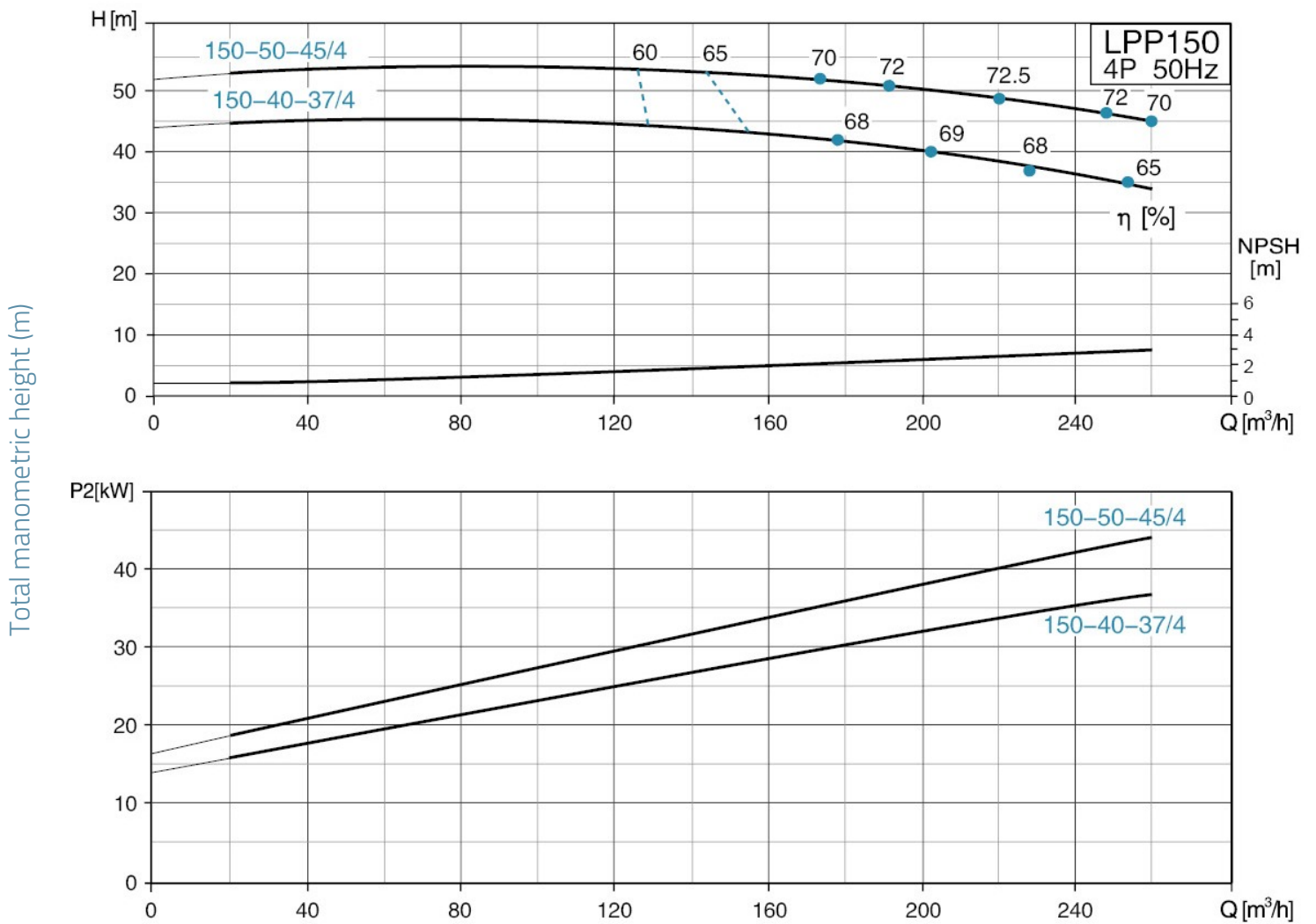
## Identification codes



## Technical data

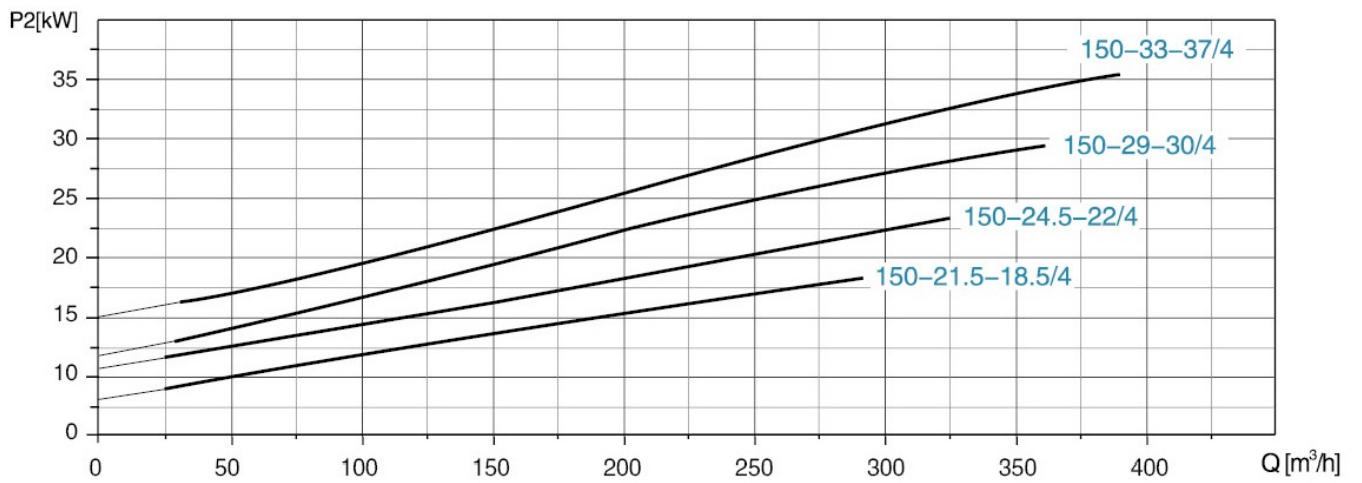
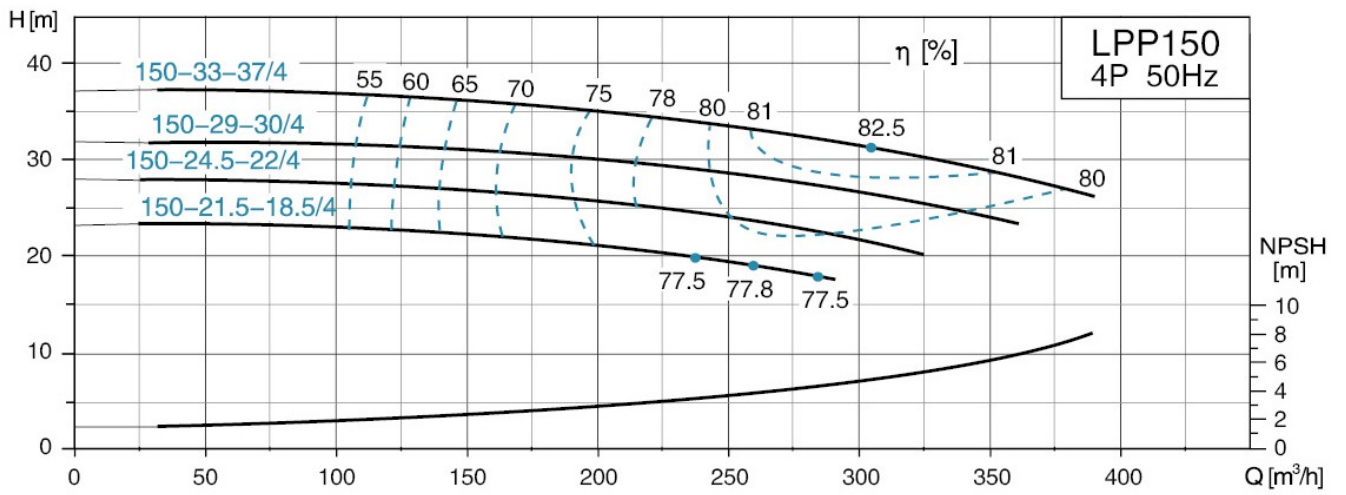
MODEL	kW	Q (m <sup>3</sup> /h)														
		0	48	84	108	120	162	180	198	210	228	252	282	312		
	Q (l/min)	0	800	1400	1800	2000	2700	3000	3300	3500	3800	4200	4700	5200		
LPP150-12.5-11/4	11															
LPP150-17-15/4	15															
LPP150-21-18.5/4	18.5															
LPP150-21.5-18.5/4	18.5	23.4					22.1	21.8	21.2	20.9	20.1					
LPP150-24.5-22/4	22	28.1						26.1	26	25.5	24.9	24	22.6	21.2		
LPP150-25-22/4	22	27.6						26.5	26.1	25.8	25.3	24.5	23.9			
LPP150-25-30/4	30	31										28.2	27.5	26.2	24.7	
LPP150-29-30/4	30	32									30.2	29.9	29.3	28.6	27.8	
LPP150-33-30/4	30	35.9					34.5	34.3	33.6	33.3	32.9	32.1				
LPP150-33-37/4	37	37.4									34.7	34.7	34.3	33.8	32.2	
LPP150-40-37/4	37	44.3					43		40.7	39.5	37.7					
LPP150-50-45/4	45	52.2					52.3		50.7	49.7	48.2					

# Hydraulic performance

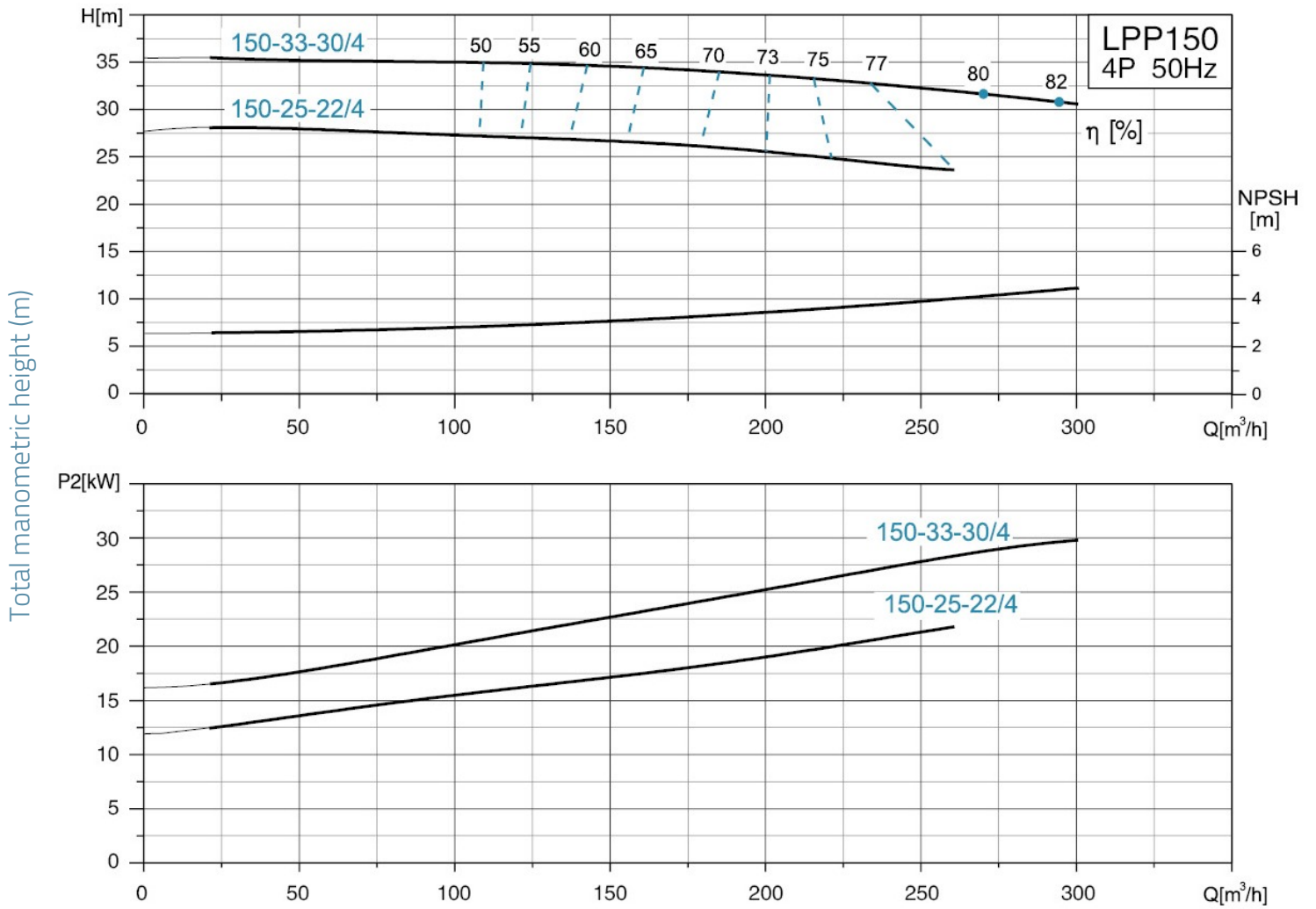


# Hydraulic performance

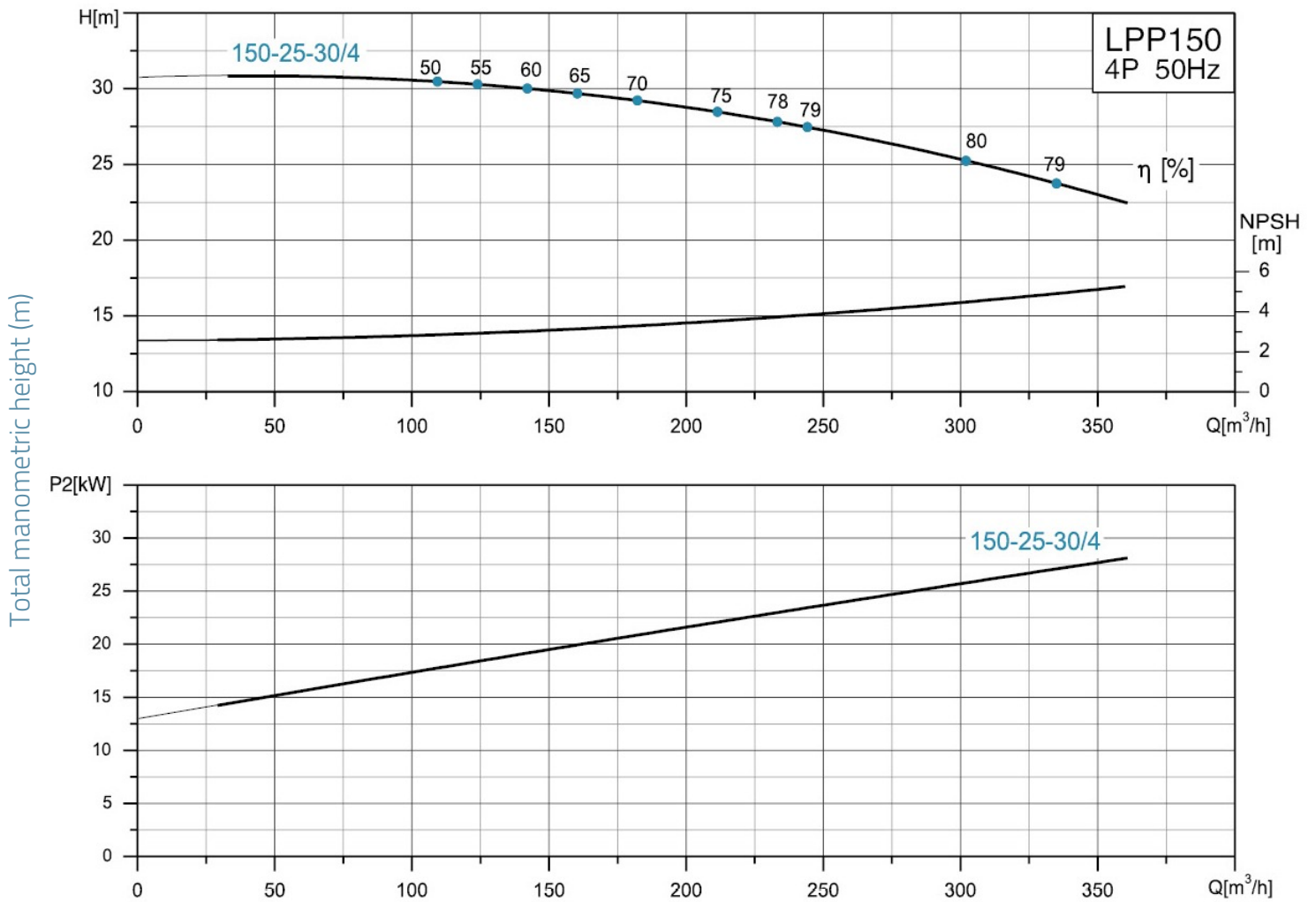
Total manometric height (m)



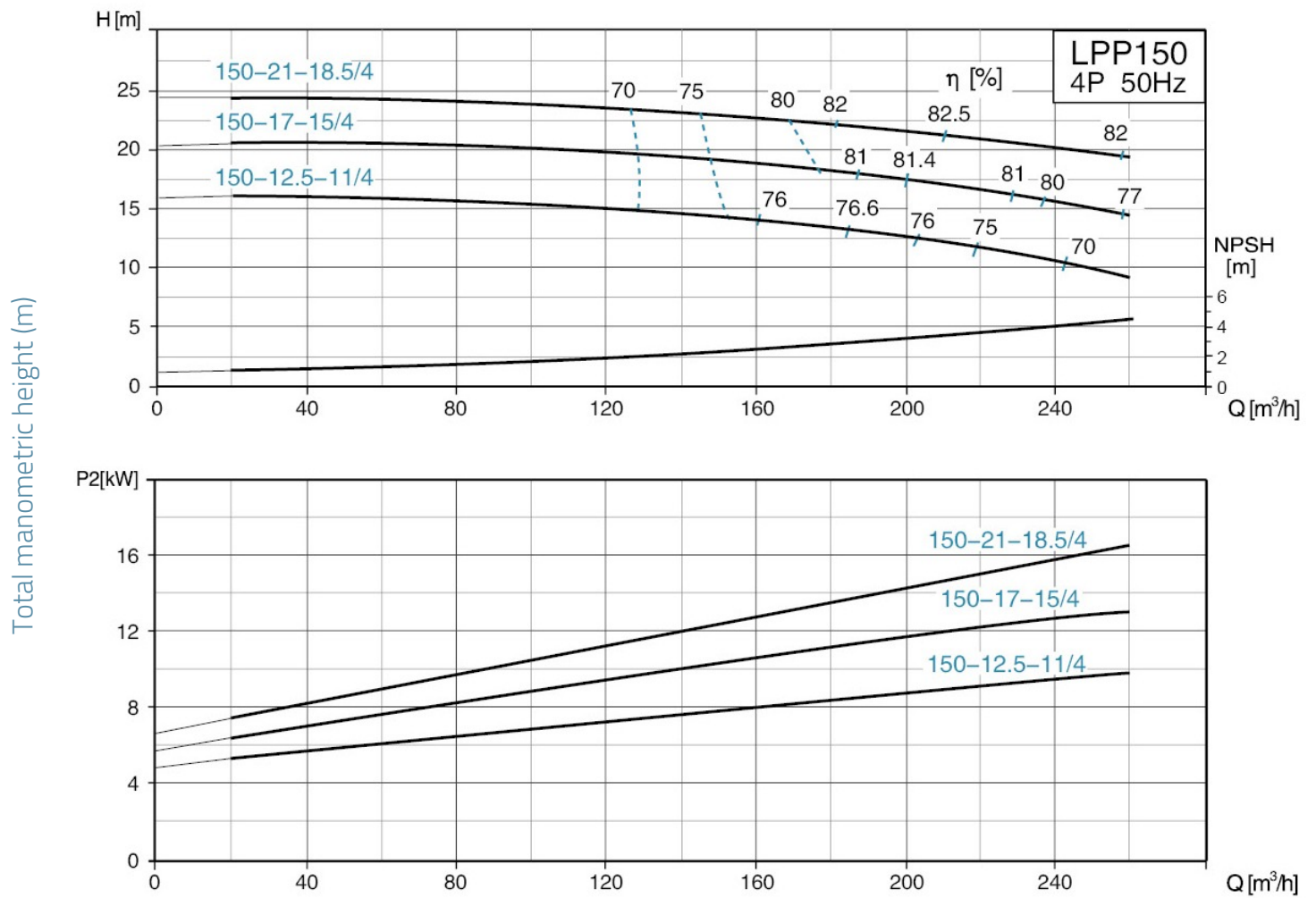
# Hydraulic performance



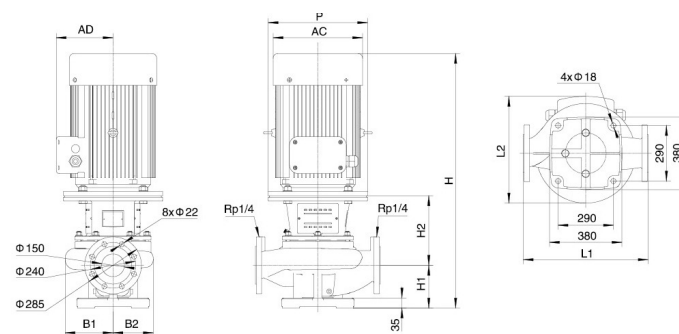
# Hydraulic performance



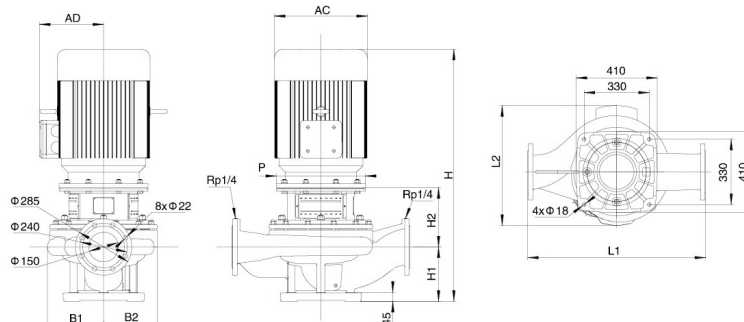
# Hydraulic performance



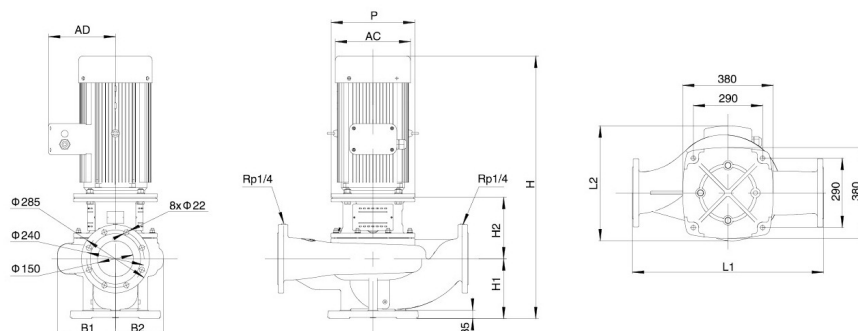
# Dimensions



LPP150-33-37/4 - LPP150-29-30/4 - LPP150-25-30/4 - LPP150-24.5-22/4  
- LPP150-21.5-18.5/4 - LPP150-25-22/4 - LPP150-33-30/4



LPP150-50-45/4 - LPP150-40-37/4



LPP150-12.5-11/4 - LPP150-17-15/4 - LPP150-21-18.5/4

## MODEL

## L1

## L2

## H

## H1

## H2

## B1

## B2

## P

## AD

## AC

**LPP150-12.5-11/4**

**LPP150-17-15/4**

**LPP150-21-18.5/4**

**LPP150-21.5-18.5/4**

800 531 1120 235 295 291 240 350 280 380

**LPP150-24.5-22/4**

800 531 1165 235 295 291 240 350 280 380

**LPP150-25-22/4**

800 531 1165 235 295 291 240 350 280 380

**LPP150-25-30/4**

800 545 1195 235 300 291 240 400 305 420

**LPP150-29-30/4**

800 545 1225 235 300 291 240 400 305 420

**LPP150-33-30/4**

800 545 1195 235 300 291 240 400 305 420

**LPP150-33-37/4**

800 575 1240 235 330 291 240 450 335 470

**LPP150-40-37/4**

900 606 1250 275 300 335 271 450 335 470

**LPP150-50-45/4**

900 606 1275 275 300 335 271 450 335 470

## Exploded view

No.	Type	Materials
1	Pump body	cast iron HT200
2	Impeller	cast iron HT200
3	Mechanical seal	silicon carbide / graphite
4	Pump shaft	AISI 304 stainless steel
5	Coupling	steel
6	Lantern	cast iron HT200
7	Engine	

