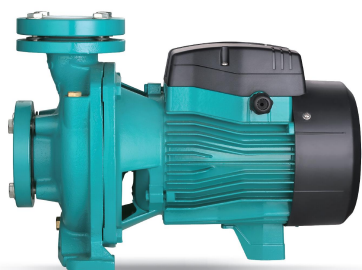


ACmBF Centrifugal cast iron pump to bride



Application

- Transfer of clear water or other liquids chemically and physically comparable to water
- Suitable for industrial use and water supply, fire system, garden irrigation, long distance water transfer, air conditioning system, circulation and overpressure, etc.

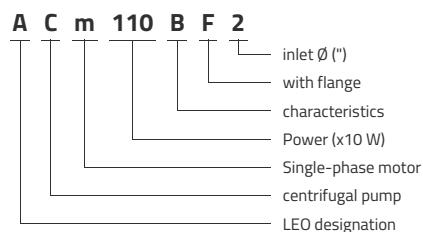
Pompe

- Special anti-rust treatment (cataphoresis) for the cast iron pump body and the lantern
- AISI 304 stainless steel shaft
- Maximum liquid temperature: +40°C
- Maximum suction height: 8 m

Moteur

- Integrated thermal protection for single-phase motors (< or = 1,5 kW)
- Insulation class: F
- Protection class: IPX4
- Maximum ambient temperature: +40°C

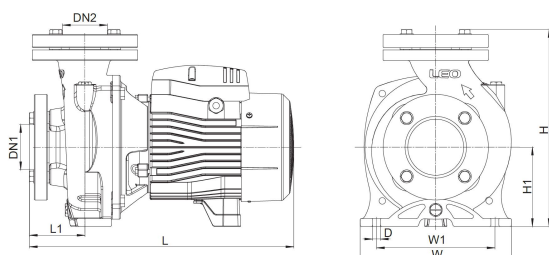
Identification codes



Technical data

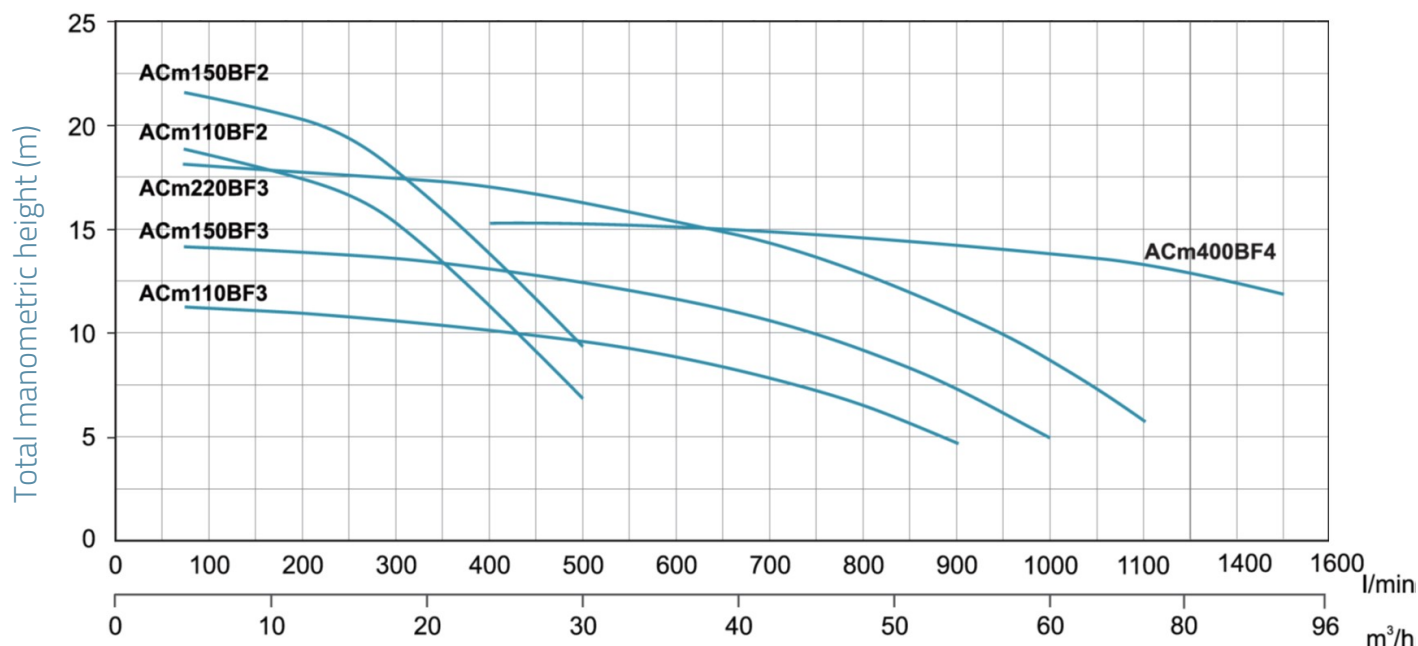
MODEL	kW	Q (m ³ /h)	0	12	18	24	30	36	42	48	54	60	66	72	84	96
		Q (l/min)	0	200	300	400	500	600	700	800	900	1000	1100	1200	1400	1600
ACm110BF2	1.1	19.5	18.5	16.5	13	8.5										
AC110BF2	1.1	19.5	18.5	16.5	13	8.5										
AC110mBF3	1.1	12.5	12.5	12.1	11.5	10.5	9.5	8.4	7.1	5.5						
AC110BF3	1.1	12.5	12.5	12.1	11.5	10.5	9.5	8.4	7.1	5.5						
ACm150BF2	1.5	22	20.5	18.3	14.5	9.5										
AC150BF2	1.5	22	20.5	18.3	14.5	9.5										
ACm150BF3	1.5	14.5	14.3	14	13.5	12.8	12	11.2	9.9	8.4	6					
AC150BF3	1.5	14.5	14.3	14	13.5	12.8	12	11.2	9.9	8.4	6					
ACm220BF3	2.2	17.5	17.3	17.1	16.5	16	15.2	14.2	14.2	11.7	10	7.2				
AC220BF3	2.2	17.5	17.3	17.1	16.5	16	15.2	14.2	14.2	11.7	10	7.2				
ACm400BF4	4				16	15.8	15.5	15.3	15.3	15	14.7	14.4	14	13.2	12.1	
AC400BF4	4				16	15.8	15.5	15.3	15.3	15	14.7	14.4	14	13.2	12.1	

Dimensions



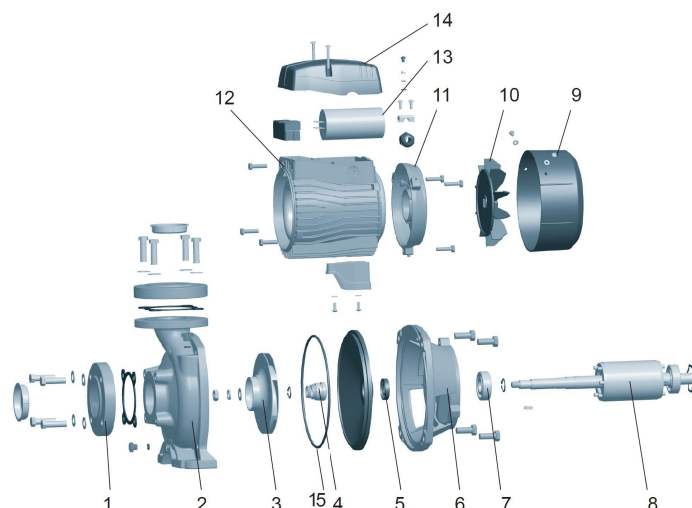
MODEL	DN1	DN2	L	W	H	L1	W1	H1	D
ACm110BF2	2	2	392	206	270	64.5	166	112	10
AC110BF2	2	2	392	206	270	64.5	166	112	10
AC110mBF3	3	3	403	230	300	86	180	120	12
AC110BF3	3	3	403	230	300	86	180	120	12
ACm150BF2	2	2	392	206	270	64.5	166	112	10
AC150BF2	2	2	392	206	270	64.5	166	112	10
ACm150BF3	3	3	403	230	300	86	180	120	12
AC150BF3	3	3	403	230	300	86	180	120	12
ACm220BF3	3	3	471	230	300	86	180	120	12
AC220BF3	3	3	471	230	300	86	180	120	12
ACm400BF4	4	4	593	285	398	125	206	160	16
AC400BF4	4	4	593	285	398	125	206	160	16

Hydraulic performance



Exploded view

No.	Type	Materials
1	Flange	cast iron HT200
2	Pump body	cast iron HT200
3	Impeller	stainless steel AISI 304 / cast iron HT200
4	Mechanical seal	carbon / ceramic
5	Oil seal	
6	Lantern	cast iron HT200
7	Bearing	
8	Rotor	
9	Fan cover	polypropylene
10	Fan	polypropylene
11	Rear cover	cast iron HT200
12	Stator	
13	Capacitor	
14	Electric box cover	polycarbonate/ABS
15	O-ring	nitrile rubber (NBR)



Packaging

MODEL	Weight (kg)	Length L (mm)	Width W (mm)	Height H (mm)
ACm110BF2	22.2	414	230	300
AC110BF2	22.2	414	230	300
AC110mBF3	31.5	433	255	332
AC110BF3	31.5	433	255	332
ACm150BF2	24	414	230	300
AC150BF2	24	414	230	300
ACm150BF3	32.5	433	255	332
AC150BF3	32.5	433	255	332
ACm220BF3	40	522	288	332
AC220BF3	40	522	288	332
ACm400BF4	78.8	658	330	457
AC400BF4	78.8	658	330	457

