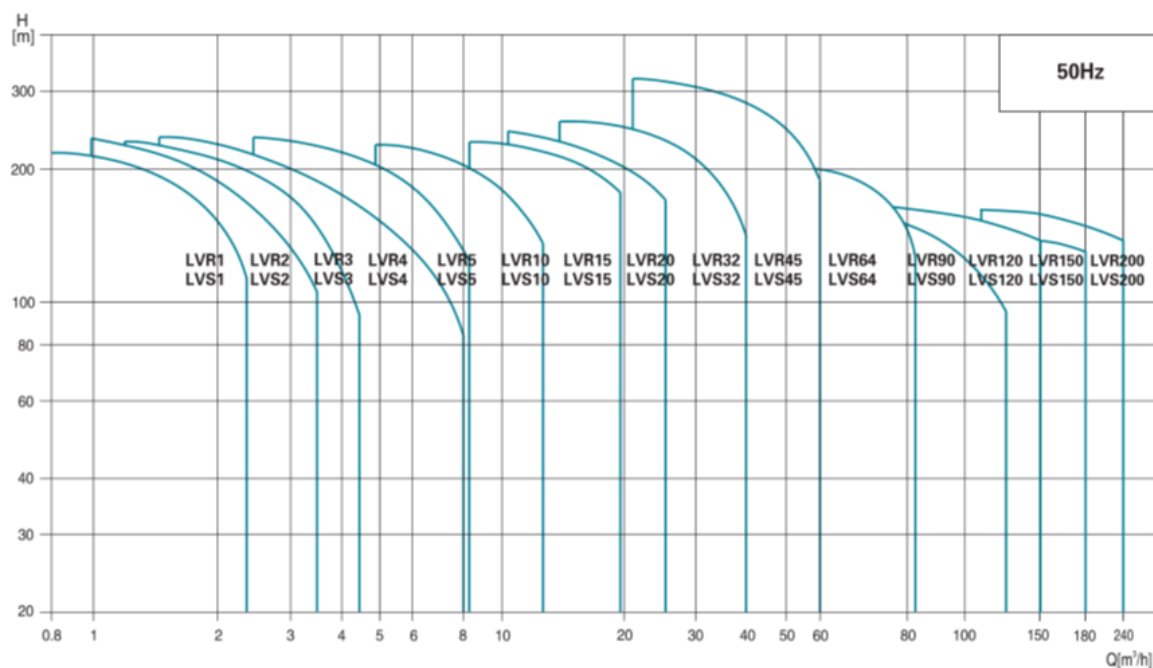


## Scope of Performance LVS (R)

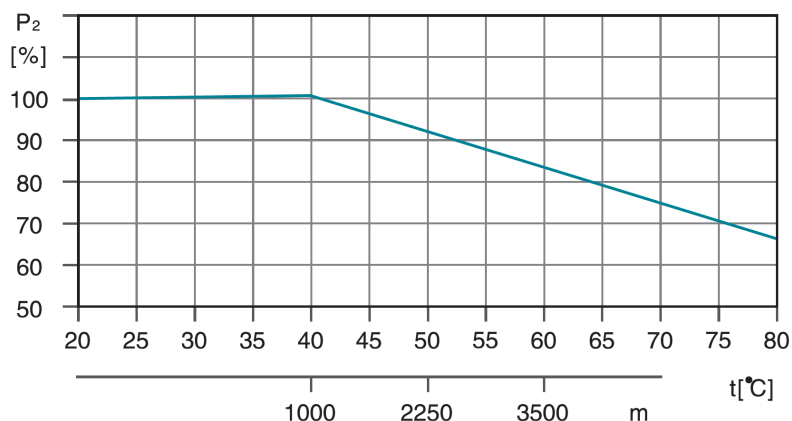


## Product Range

MODEL	LVR(S)1	LVR(S)2	LVR(S)3	LVR(S)4	LVR(S)5	LVR(S)10	LVR(S)15	LVR(S)20	LVR(S)32	LVR(S)45	LVR(S)64	LVR(S)90	LVR(S)120	LVR(S)150	LVR(S)200
<b>DESCRIPTION</b>															
Rated flow [m³/h]	1	2	3	4	5	10	15	20	32	45	64	90	120	150	200
Flow range [m³/h]	0.7-2.4	1.0-3.5	1.2-4.5	1.5-8	2.5-8.5	5-13	8-23	10.5-29	15-40	22-58	30-85	45-120	60-150	80-180	100-240
Max. pressure [bar]	22	23	24	21	24	22	23	25	28	33	22	20	16	16	16
Motor power [kW]	0.37-2.2	0.37-3	0.37-3	0.37-4	0.37-4	1.1-7.5	1.1-15	1.1-18.5	1.5-30	3-45	4-45	5.5-45	11-75	11-75	18.5-110
Temperature Range [°C]	-20°C--+120°C ( Note: Both the Max. permissible pressure and liquid temperature range refer to the pump capacity.)														
Max. pump efficiency [%]	45	46	55	59	60	65	70	72	78	79	80	81	74	73	79
Pipe connection-LVR															
Oval flange	G1	G1	G1	G1 1/4	G1 1/4	-	-	-	-	-	-	-	-	-	-
DIN flange	DN25	DN25	DN25	DN32	DN32	DN40	DN50	DN50	DN65	DN80	DN100	DN100	DN125	DN125	DN150
Pipe connection-LVS															
Oval flange	-	-	-	-	-	-	-	-	-	-	-	-	-	-	-
DIN flange	DN32	DN32	DN32	DN32	DN32	DN40	DN50	DN50	DN65	DN80	DN100	DN100	DN125	DN125	DN150
Clamp connector	φ42	φ42	φ42	φ42	φ42	-	-	-	-	-	-	-	-	-	-
Threaded connector	R <sub>2</sub> 1 1/4	R <sub>2</sub> 1 1/4	R <sub>2</sub> 1 1/4	R <sub>2</sub> 1 1/4	R <sub>2</sub> 1 1/4	-	-	-	-	-	-	-	-	-	-

## Ambient Temperature

An ambient temperature of over 40 ° C or an installation at an altitude above 1000 meters above sea level requires an oversized motor. Due to low air density and poor cooling, the output power  $P_2$  decreases, as shown in the table below:



For example, when the pump is installed at an altitude of 3500 meters,  $P_2$  will decrease by 88%. And when the ambient temperature is 70 ° C,  $P_2$  will decrease by 78%.

## Maximum Operation pressure (bar)

The table below shows the maximum discharge pressures of the various LVS (R) pumps. The suction pressure of the pump + the set pressure must always be lower than the maximum operating pressure of the pump. If the maximum working pressure is exceeded, it can damage the motor bearings and reduce the service life of the mechanical seal.

Model	LVR Max. Operation pressure [bar]		LVS Max. Operation pressure [bar]
	Oval Flange	DIN Flange	
LVR (S) 1	16	25	25
LVR (S) 2	16	25	25
LVR (S) 3	16	25	25
LVR (S) 4	16	25	25
LVR (S) 5	16	25	25
LVR (S) 10		25	25
LVR (S) 15		25	25
LVR (S) 20		25	25
LVR (S) 32-1-1 - 32-7	16		16
LVR (S) 32-8-2 - 32-14	30		30
LVR (S) 45-1-1 - 45-5	16		16
LVR (S) 45-6-2 - 45-11	30		30
LVR (S) 45-12-2 - 45-13-2	33		33
LVR (S) 64-1-1 - 64-5	16		16
LVR (S) 64-6-2 - 64-8-1	30		30
LVR (S) 90-1-1 - 90-4	16		16
LVR (S) 90-5-2 - 90-6	30		30
LVR (S) 120-1 - 120-7	20		20
LVR (S) 150-1-1 - 150-6	20		20
LVR (S) 200-1-D - 200-4	20		20

## NPSH

### Minimum Inlet Pressure–Npsh

Calculation of the inlet pressure “H” is recommended in these situations:

- The liquid temperature is high.
- The flow is significantly higher than the rated flow.
- Water is drawn from depths.
- Water is drawn through long pipes.
- Inlet conditions are poor.

To avoid cavitation, make sure that there is a minimum pressure on the suction side of the pump. The maximum suction lift “H” in meters head can be calculated as follows:

$$H = P_b \times 10.2 - NPSH - H_f - H_v - H_s$$

$P_b$  = Barometric pressure in bar. (Barometric pressure can be set to 1 bar). In closed systems,  $P_b$  indicates the system pressure in bar.

**NPSH** = Net Positive Suction Head in meters head. (To be read from the NPSH curve at the highest flow the pump will be delivering.)

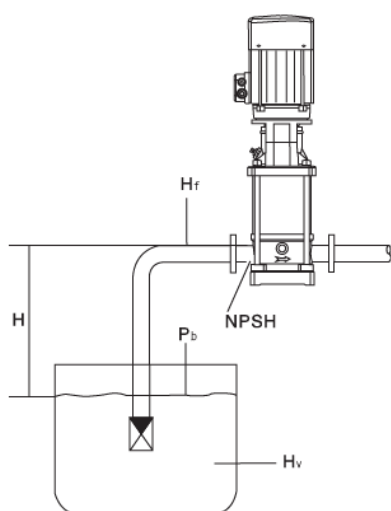
$H_f$  = Friction loss in suction pipe in meters head. (At the highest flow the pump will be delivering.)

$H_v$  = Vapor pressure in meters head. (To be read from the vapor pressure scale. “ $H_v$ ” depends on the liquid temperature “ $t_m$ ”)

$H_s$  = Safety margin=minimum 0.5 meters head.

If the “H” calculated is positive, the pump can operate at a suction lift of maximum “H” meters head.

If the “H” calculated is negative, an inlet pressure of minimum “H” meters head is required.



$t_m$ [°C]	$H_v$ [m]
190	126
180	100
170	79
160	62
150	45
140	40
140	35
130	30
130	25
120	20
110	15
100	12
100	10
90	8.0
90	6.0
80	5.0
80	4.0
70	3.0
60	2.0
50	1.5
50	1.0
40	0.8
40	0.6
30	0.4
30	0.3
20	0.2
10	0.1
0	0

**Note:** To avoid cavitation, never select a pump with a duty point too far to the right on the NPSH curve. Always check the NPSH value of the pump at the highest possible flow.

## LVR120 Vertical multicellular pump, water box and pump base in cast iron



LVR

### Application

- Transfer of liquids with low viscosity, non-flammable and non-explosive, not containing solid particles or fibers. These liquids must not chemically attack the materials of the pump.
- Water supply for tall buildings, pumping stations, overpressure
- Washing stations, heating water circulation, air conditioning water circulation, water treatment systems
- Distillation systems, municipal swimming pools
- Irrigation: sprinkling, drip
- Industry
- Fire fighting systems

### Pompe

- Liquid temperature: from  $-20^{\circ}\text{C}$  to  $+120^{\circ}\text{C}$
- Nominal flow:  $120\text{ m}^3/\text{h}$
- maximum pressure: 16 bars
- pH between 4 and 10

### Moteur

- IE3 motor
- Protection class: IP55
- Maximum ambient temperature:  $+40^{\circ}$

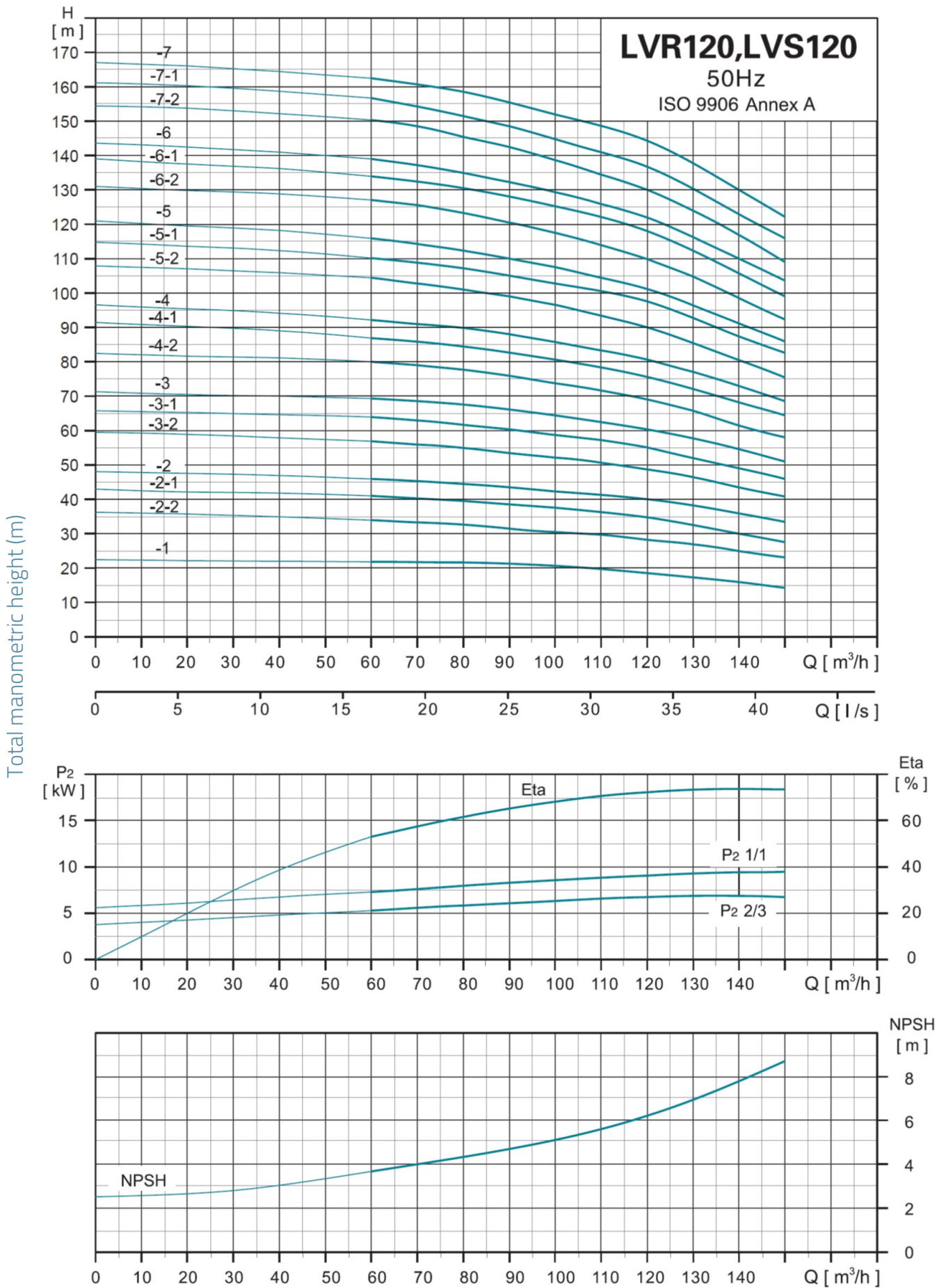
### Identification codes

LVR	120	-5	-2	-B	/F	
						DIN flange
						inox 316 (by default, inox 304)
						number of small turbines
						number of turbines
						Nominal flow ( $\text{m}^3/\text{h}$ )
						vertical multicellular pump in cast iron

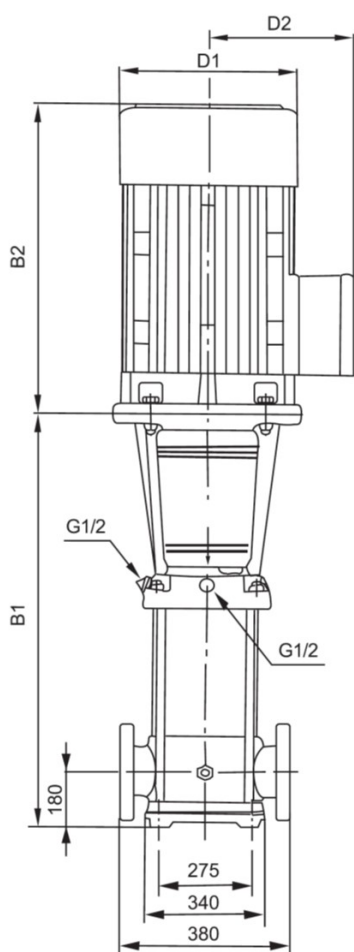
## Technical data

MODEL	kW	Q (m <sup>3</sup> /h)										
		60	70	80	90	100	110	120	130	140	150	
		Q (l/min)										
		1000	1167	1333	1500	1667	1833	2000	2167	2333	2500	
LVR120-1/F	11	22	21.8	21.6	21	20.5	19.5	18.5	17	16	15	
LVR120-2-2/F	15	34	33.6	33	31	30.2	30	28.5	27	25	24	
LVR120-2-1/F	18.5	41	40	39.5	38.5	37	36.5	34.5	32.5	30	27.5	
LVR120-2/F	22	46	45	44.5	43.5	42.4	41	40	38	36	33.5	
LVR120-3-2/F	30	57	56	55	53.5	52	51	49	46.5	43.5	41	
LVR120-3-1/F	30	64	63	62	60	58.5	57.5	55.5	52	49	46	
LVR120-3/F	30	69.5	68.5	67.5	66	64.4	62.5	61	57.5	54.5	51	
LVR120-4-2/F	37	80.5	79	78	76	73.5	72	69	66	61.5	58	
LVR120-4-1/F	37	87	86	84.5	82	80	78	76	72	68	64.5	
LVR120-4/F	45	92.5	91	90	88	85.5	83	81	77	73	68.5	
LVR120-5-2/F	45	104.5	103	101	99	96	93	90	85.5	80.5	75.5	
LVR120-5-1/F	45	110.5	109	107.5	105	102	100	97	92	86.5	83	
LVR120-5/F	55	115.5	114	113	110	107.5	104.5	101.5	96	91	86	
LVR120-6-2/F	55	128	125.5	123	121	117.3	113.5	110	104.5	98.5	92.5	
LVR120-6-1/F	55	134	132	130.5	127	124	121	118	111	105	100	
LVR120-6/F	75	139	137	135	132	128.8	126	123	116	110	104	
LVR120-7-2/F	75	151	148	145.5	143	138.6	134	130	123.5	116.5	109	
LVR120-7-1/F	75	156.5	154	152	148.5	144.5	141	137.5	130	123	116.5	
LVR120-7/F	75	162.5	160.5	158.5	155	151	148	145	137	129	123	

## Hydraulic performance



## Dimensions



MODEL	B1	B1+B2	D1	D2	poids
LVR120-1/F	840	1339	254	175	186
LVR120-2-2/F	1000	1499	254	175	210
LVR120-2-1/F	1000	1560	330	250	250
LVR120-2/F	1000	1600	380	280	285
LVR120-3-2/F	1160	1840	420	305	326
LVR120-3-1/F	1160	1840	420	305	360
LVR120-3/F	1160	1840	420	305	360
LVR120-4-2/F	1320	2000	420	305	400
LVR120-4-1/F	1320	2000	420	305	400
LVR120-4/F	1320	2035	470	335	460
LVR120-5-2/F	1480	2195	470	335	470
LVR120-5-1/F	1480	2195	470	335	470
LVR120-5/F	1510	2295	510	370	575
LVR120-6-2/F	1670	2455	510	370	585
LVR120-6-1/F	1670	2455	510	370	585
LVR120-6/F	1670	2515	580	410	705
LVR120-7-2/F	1830	2675	580	410	715
LVR120-7-1/F	1830	2675	580	410	715
LVR120-7/F	1830	2675	580	410	715

## Exploded view

No.	Type	Materials
1	Lower water box	cast iron HT200
2	Flange	ZG35 cast steel
3	Base	cast iron HT200
4	Diffuser	AISI 304 stainless steel
5	Intermediate diffuser	AISI 304 stainless steel
6	Diffuser with bearing	AISI 304 stainless steel
7	Impeller	AISI 304 stainless steel
8	Lantern	AISI 304 stainless steel
9	Cover	cast iron HT200
10	Motor support	cast iron HT200
11	Engine	
12	Coupling protection housing	QT400 cast iron
13	Protection shield	AISI 304 stainless steel
14	Cartridge mechanical seal	
15	Filling plug	AISI 304 stainless steel
16	Clamping plate	AISI 304 stainless steel
17	Jacket	AISI 304 stainless steel
18	Pump shaft	AISI 304 stainless steel

