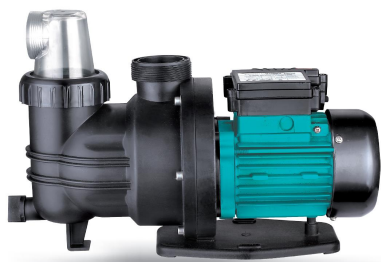


XKP-2 Swimming pool pump < 500 W



Application

- Suitable for water circulation in all kinds of small domestic swimming pools. Lightly dirty water with suspended particles will be perfectly filtered

Pompe

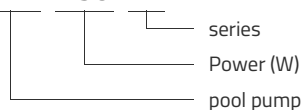
- Plastic body pump
- AISI 304 stainless steel shaft
- Maximum liquid temperature: +35°C
- Maximum suction height: 3.5 m

Moteur

- Copper winding motor or aluminium
- Integrated thermal protection for single-phase motors
- Insulation class: F
- Protection class: IPX5

Identification codes

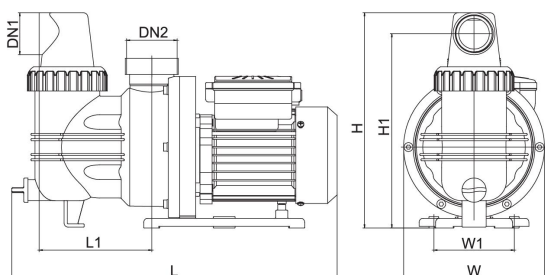
XKP 450 -2



Technical data

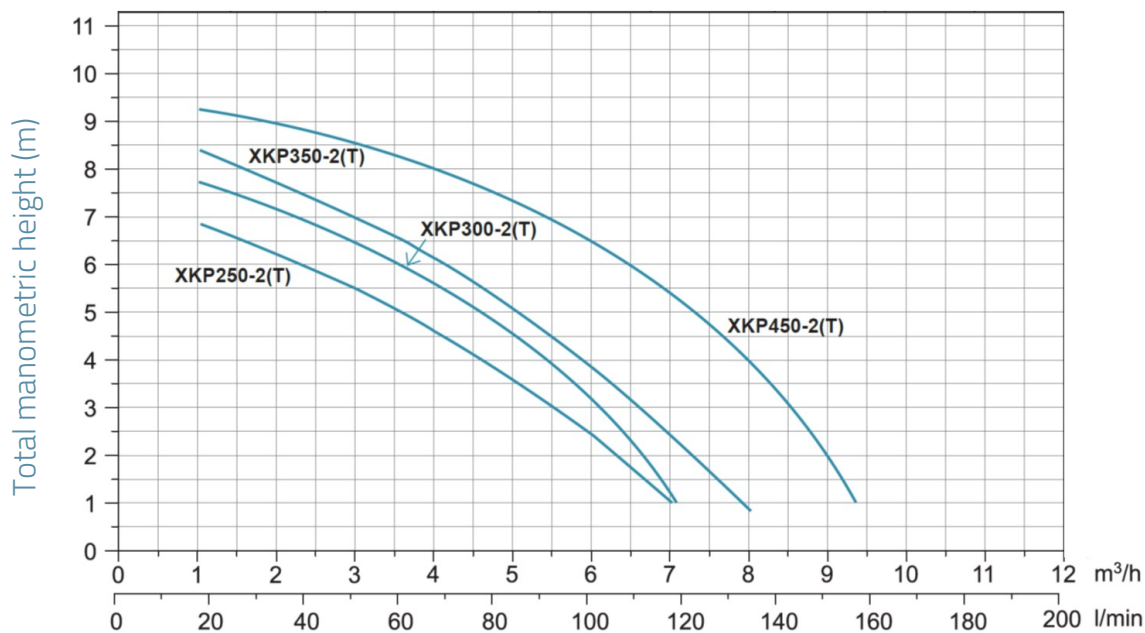
MODEL	kW	Q (m³/h)	1	2	3	4	5	6	7	8	9
		Q (l/min)	17	33	50	67	83	100	117	133	150
XKP250-2	0.25	6.9	6.3	5.5	4.6	3.6	2.4	1			
XKP300-2	0.3	7.7	7.2	6.4	5.5	4.5	3	1			
XKP350-2	0.35	8.4	7.7	7	6.2	5	3.8	2.3	0.8		
XKP450-2	0.45	9.6	9.1	8.5	8	7.3	6.4	5.2	4	2.4	

Dimensions



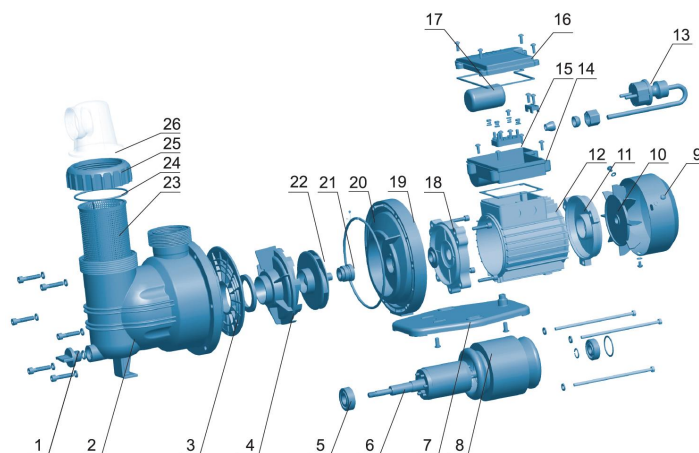
MODEL	DN1	DN2	L	W	H	L1	W1	H1
XKP250-2	40	40	416	175	265	140	100	239
XKP300-2	40	40	416	175	265	140	100	239
XKP350-2	40	40	416	175	265	140	100	239
XKP450-2	40	40	416	175	265	140	100	239

Hydraulic performance



Exploded view

No.	Type
1	Filling plug
2	Pump body
3	Waterproof cover
4	Diffuser
5	Ball bearing
6	Rotor
7	Base
8	Stator
9	Fan cover
10	Fan
11	Rear cover
12	Box
13	Power cable
14	Terminal Box
15	Terminal board
16	Electric box cover
17	Capacitor
18	Front plate
19	Lantern
20	O-ring
21	Mechanical seal
22	Impeller
23	Basket
24	O-ring
25	Nut
26	Inlet fitting



Packaging

MODEL	Weight (kg)	Length L (mm)	Width W (mm)	Height H (mm)
XKP250-2	5.6	450	203	238
XKP300-2	6	450	203	238
XKP350-2	6.2	450	203	238
XKP450-2	6.4	450	203	238

